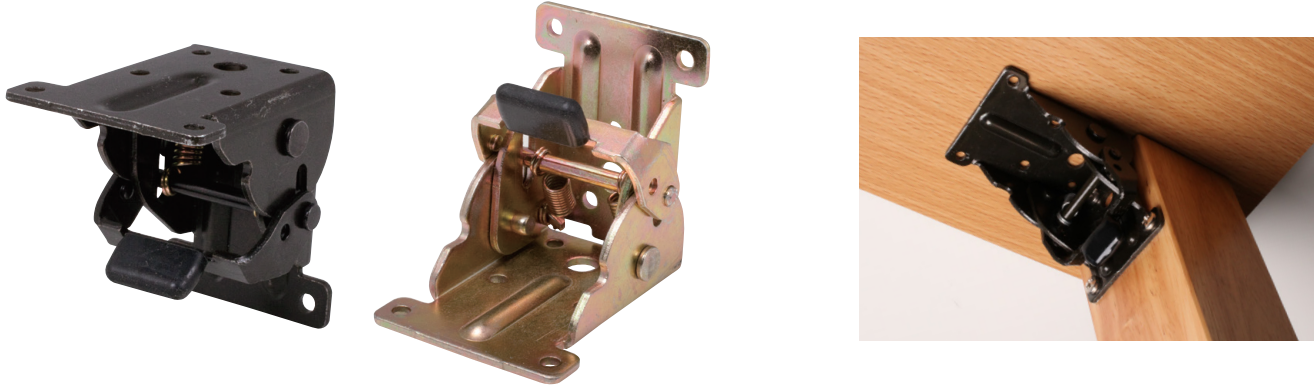


B205 Folding leg metal fitting KTL-2 Hinge



At the time of opening

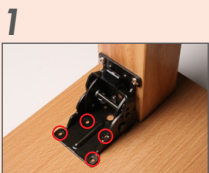
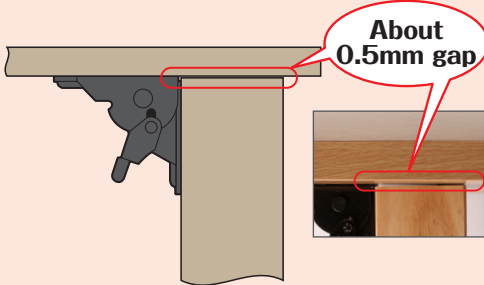
At the time of closing

- Metal fitting for low table
 - Strong and compact size
 - Can fold by pulling the lever easily
 - Recommended leg Minimum size: up to 50mm square × H300mm
 - Material/ Steel
- Recommended screw 3.5Φ pot • round head (truss is no possible)

So easy storage!! **Specification • Merit**

Caution!!

Put about 0.5mm gap between table top and leg
If you install without any gap, it won't lock

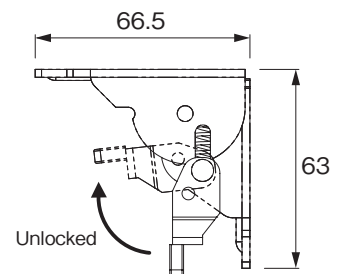
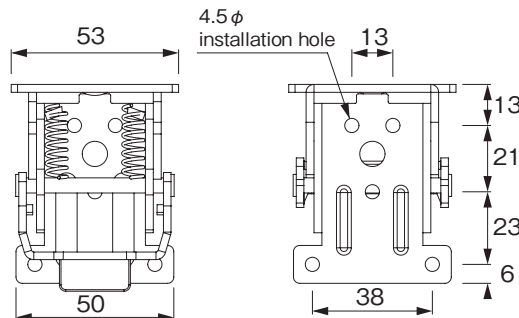
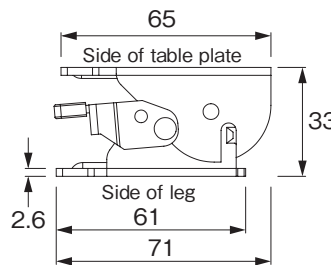


1
Fix red circled 4 points in the picture with screws in a locked state after standing a leg



2
Fix red circled 2 points in the picture with screws in a locked state after standing a leg

Dimension drawing at the time of folding



Specification dimensions (Unit : mm)

Product number	Finishing	Quantity
B205	Chromate Black zinc	100

KOJIMA METAL FITTING CORPORATION

Head office 3-4-1 Motoasakusa, Taito-ku, Tokyo 111-0041, Japan
TEL +81-3-3843-3141 FAX +81-3-3843-3144

Kasukabe branch 1-26-20 Kasukabehigashi, Kasukabe-shi, Saitama 344-0062, Japan
TEL +81-48-760-3881 FAX +81-48-760-3883

✉ kanamono@kojima-mf.co.jp

