

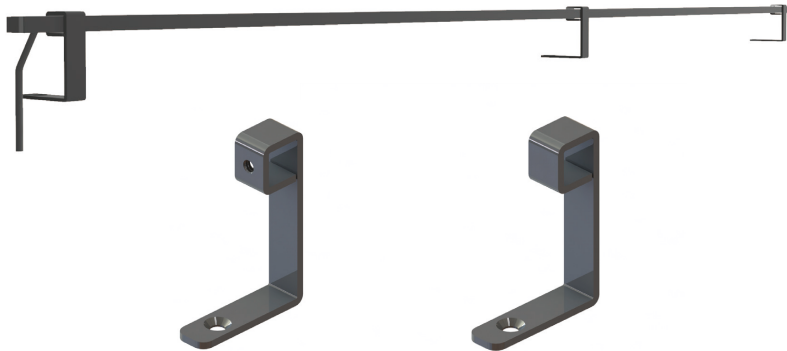
Q503 Square fall blocking LED Specification



- 9mm square sharp designed fall blocking
- Available to put LED tape light
 - * LED tape light is not included
- There are also end-caps
- Available to use LED tape light less than 5mm width
- Finishing/ Black baked paint
- Recommended screw/ 3.5mm flat head screw

※Be careful of handling, because black baked paint is visible scratches

※Q503-F is fixed. Tighten fixing setscrew using Q901-2 hex wrench to fix square pipe



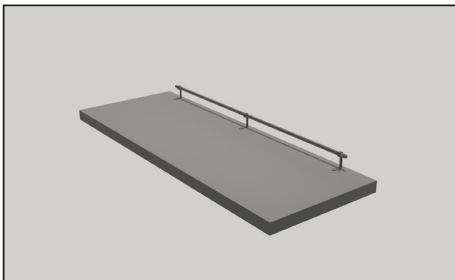
Q503 Square fall stopper

Specification dimensions

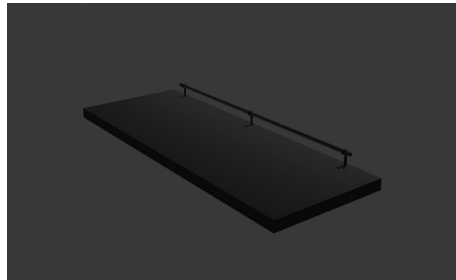
Unit : mm

Product number	Material/Finishing	Product content	Quantity
Q503-C	Steel/Black baked paint	Flexible movement	200
Q503-F		Fix	
*Q503-K-1000	Aluminum/Black baked paint	9mm U-shaped L1,000	100
*Q503-K-ROCK	Aluminum/ Silver	U-shaped -type	
Q503-9-EC	PE/Black	End cap	200
D901-2	Steel/Material (Black)	Hex wrench	500

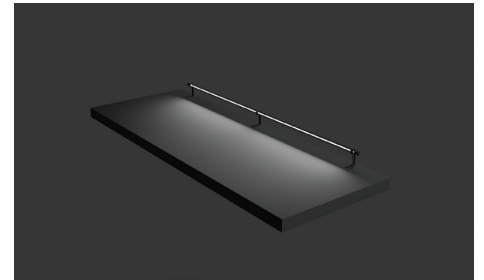
* Made-to order product



Day time (Bright room)

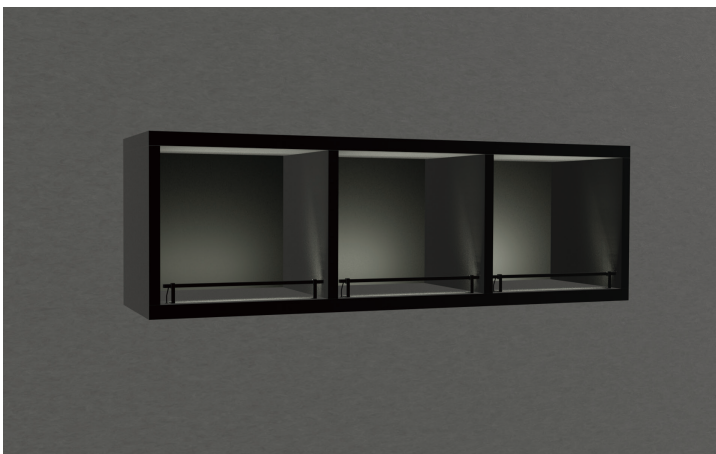


Night time (Dark room)



Night time (Dark room)

Image pictures

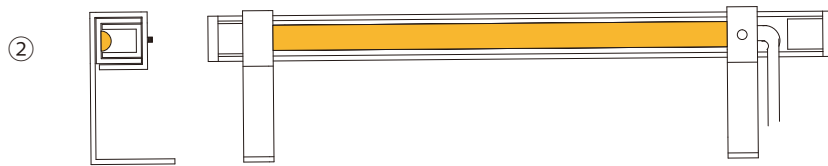


How to install

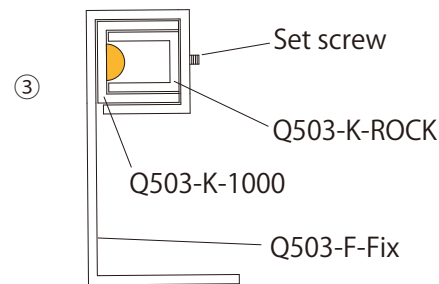


Paste LED tape on Q503-K-1000

* Cut Q503-K-1000 and LED into required size before pasting



Put Q503-V Flexible movement/Q503-F Fix through the above product
While, set Q503-K-ROCK inside of Q503-F Fix



Decide the position and set Q503-L-ROCK which was set inside of Q503-F tightening set screw

While, be careful that Q503-K-ROCK doesn't scratch LED or power cable

* Should be less than 5mm of LED or power cable where you use Q503-K-ROCK

<p>Q503-CFlexible to move</p>	<p>Q503-F Fix</p>	<p>Q503-K-1000</p>	
		<p>Q503-9-EC End cap</p>	<p>Q503-K-ROCK</p>

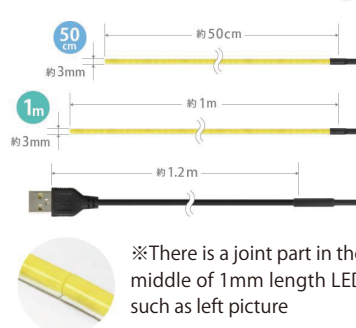
*Note Kojima doesn't sell LED tape light for square fall blocking



JTTOnline

Product name LED tape light

Product dimension



Feature

- Available to adjust cutting by scissors
- Can choose color (Lamp color & daylight color)
- There are a switch and a dimmer as option

Ask the dealer for details

Dealer

Trust Technology

TEL 03-3835-7887

Website <http://jtt.ne.jp/shop>

Kojima METAL FITTING CORPORATION

Head office 3-4-1 Motoasakusa, Taito-ku, Tokyo 111-0041, Japan

TEL +81-3-3843-3141 FAX +81-3-3843-3144

Kasukabe branch 1-26-20 Kasukabehigashi, Kasukabe-shi, Saitama 344-0062, Japan

TEL +81-48-760-3881 FAX +81-48-760-3883

✉ kanamono@kojima-mf.co.jp



Q503 Square fall blocking



- 9mm square sharp designed fall blocking
- There are also end-caps
- Finishing/Black baked paint
- Material/Steel
- Recommended screw/3.5mm flat head screw
- ※Be careful of handling, because black baked paint is visible scratches
- ※Q503-F is fixed. Tighten fixing setscrew using Q901-2 hex wrench to fix square pipe

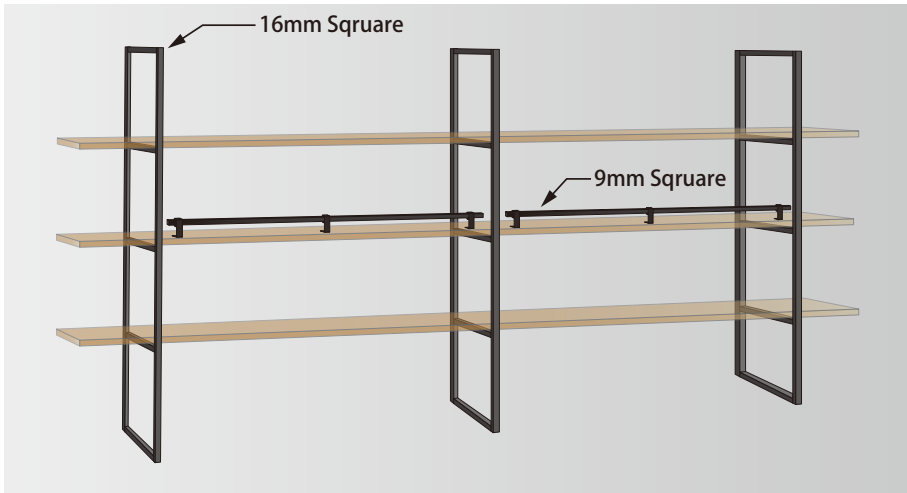
Usage example



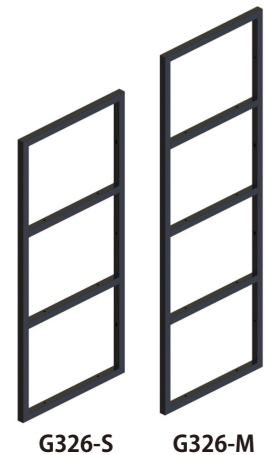
Specification dimensions

Product number	Material/Finishing	Product content	Quantity
Q503-C		Flexible to move	200
Q503-F		Fix	200
Q503-9-800	Steel/Black baked paint	9mm Square pipe L800	100
Q503-9-1500		9mm Square pipe L1,500	100
Q503-9-EC	PE / Black	End cap	200
D901-2	Steel/material (black)	Hex wrench	500

Installation image



G326 K2 Frame shelf (sold separately)



Combinated usage with G326 K2 Frame shelf is also recommended

<p>Q503-C Flexible to move</p>	<p>Q503-F Fix</p> <p>▪ Accessory: 4 steel hex hole stopper screws × 4 black material × 1 ※Hex wrench is sold separately</p>	<p>Q503-9-800 Q503-9-1500</p> <p>9mm Square pipe</p>	
		<p>Q503-9-EC End cap</p>	<p>D901-2 Hex wrench</p>

KOJIMA METAL FITTING CORPORATION

Head office 3-4-1 Motoasakusa, Taito-ku, Tokyo 111-0041, Japan
TEL +81-3-3843-3141 FAX +81-3-3843-3144

Kasukabe branch 1-26-20 Kasukabehigashi, Kasukabe-shi, Saitama 344-0062, Japan
TEL +81-48-760-3881 FAX +81-48-760-3883

✉ kanamono@kojima-mf.co.jp

