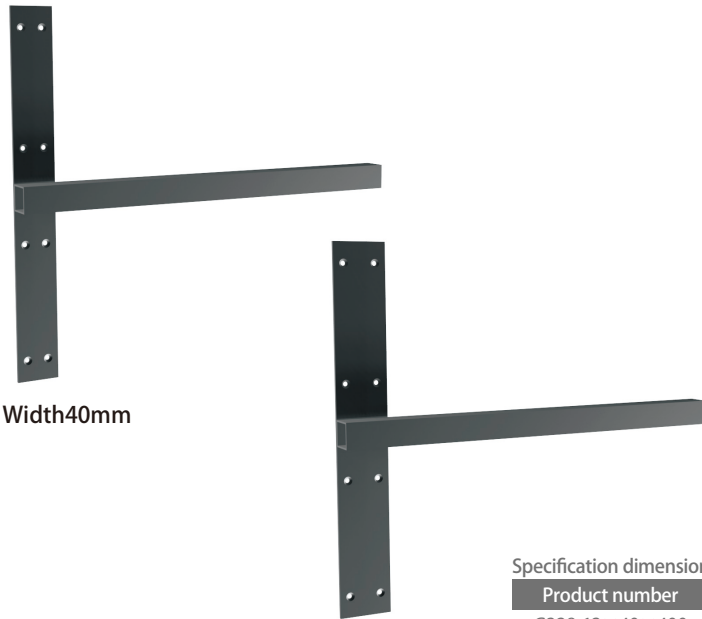


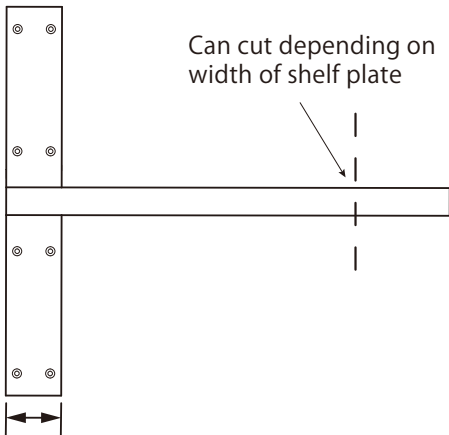
# G328 Concealed Floating Shelf Support



- Shelf bracket isn't seen
  - 13,16,19 and 25angles thickness
  - 40mm and 50mm are available for width of plates to install
  - Can cut depending on width of shelf plate
  - Able to cut mounting plate and add screw holes
    - ※Order fulfillment
  - Can buy from one (stock)
- Note: Level the shelf by squire pipe
- Material/Steel
  - Finishing/Black baked paint
  - Recommended screw/3.5mm countersink

Width40mm

Width50mm



Can cut depending on width of shelf plate

## Specification dimension

Unit: mm

Product number	Material/Finishing	Width of plate to install	Load capacity	Quantity
G328-13×40×400	Steel/Black baked paint	40	14kgf	10
G328-16×40×400			21kgf	
G328-19×40×400			37kgf	
G328-25×40×400		50	17kgf	
G328-13×50×400			21kgf	
G328-16×50×400			32kgf	
G328-19×50×400		40kgf		
G328-25×50×400				

※Load capacity: Average load to entire surface per one

40mm and 50mm are available for width of plates to install

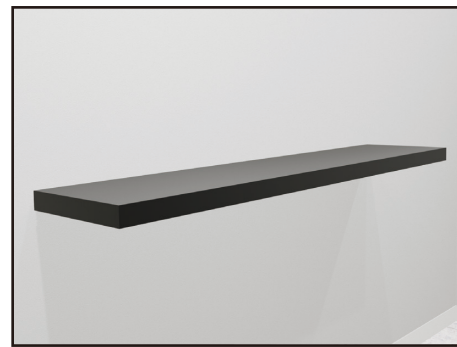




① Make sure the horizontal of each shelf bracket using the square pipe and fix to the core material

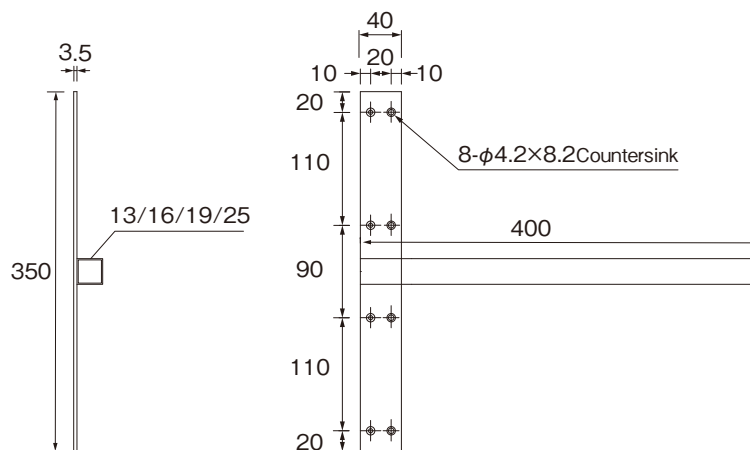


② Construct wall material



③ Install shelf plate

Width 40mm Dimensional drawing



Width 50mm Dimensional drawing

