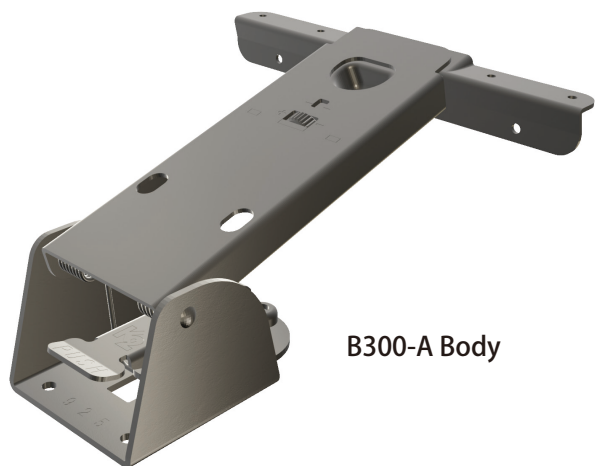


Under development

B300 Table leg Metal Fitting with Lock PAT.P

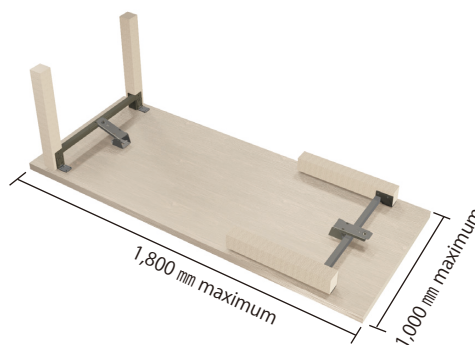


B300-A Body

- The metal fitting can be steady locked both when the legs of the table are standing or folded.
- The metal fitting is sturdy and safe enough even if the table is shaken or accidentally hit.
- Easy operate the metal fitting with a little force.
- Easy installation.
- The metal fitting has an adjusting dial to avoid rattling.
- Recommended Table Top length: Up to 1,000mm/Width:1,800mm. Depth:Up to 1,000mm. Available to use for table with height:700mm
- Recommended leg thickness:60 ~ 90mm

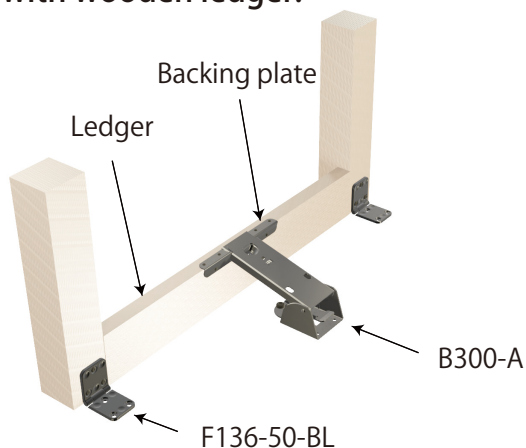


700 mm maximum

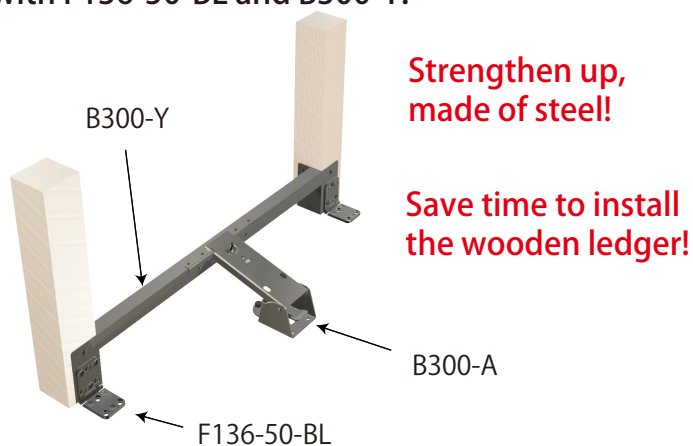


1,800 mm maximum
1,000 mm maximum

An example of usage with wooden ledger.



An example of combined usage with F136-50-BL and B300-Y.



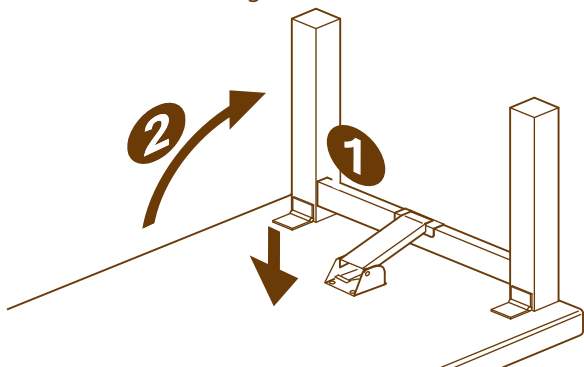
Strengthen up, made of steel!

Save time to install the wooden ledger!

To stand the legs of the table



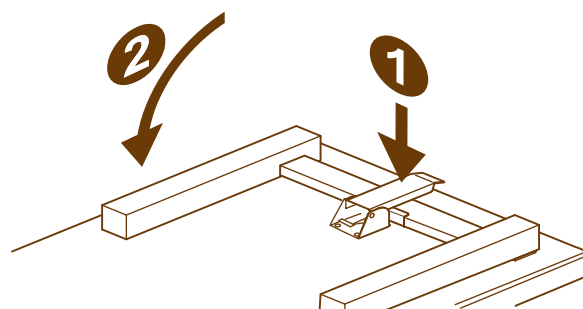
- 1 While pressing the "Push Lever"
- 2 Stand the legs of the table



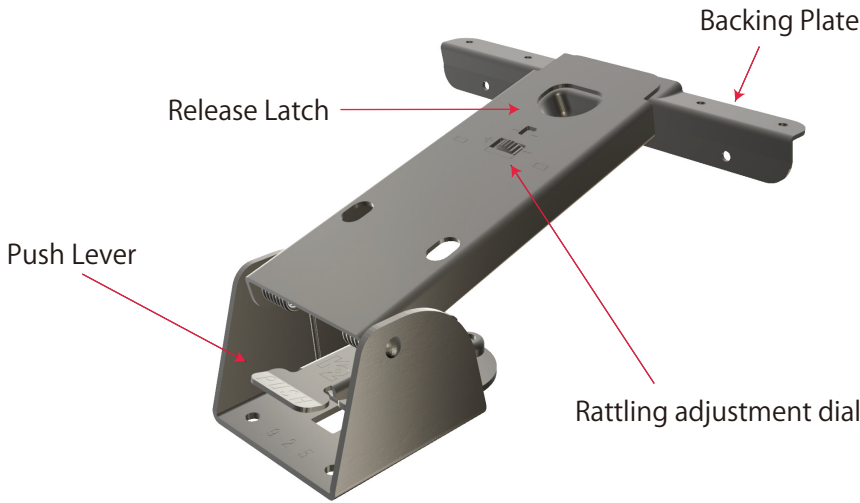
To fold the legs of the table



- 1 While sliding the "Release Latch"
- 2 Fold the legs of the table



B300-A Body Table leg Metal Fitting with Lock



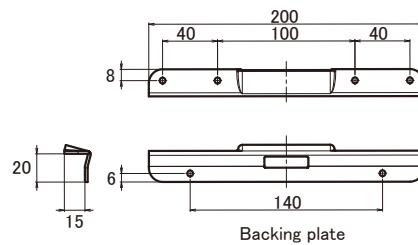
- When stored, fold the leg operating "Release Latch".
- When stand the folded leg, stand the leg pushing "Push Lever"
- * Use after making sure being locked tightly.
- Turn the "Adjustment Dial" to control in case of rattling.
- Available to use for table up to depth:1,000mm and width:1,800mm
- Recommended screw/body:truss, pan head screw 6φ
backing plate pan head screw 3φ

Product No.	Material	Finishing	Quantity
B300-A	Steel	Black baked paint	20set

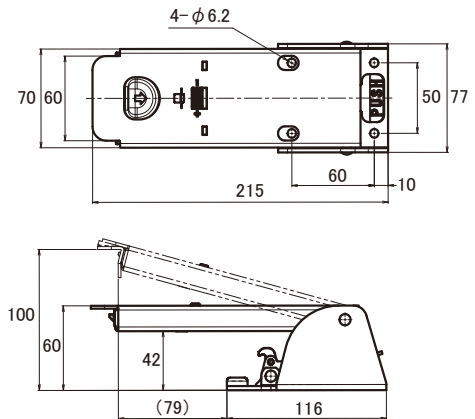
※ 1 table needs 1set

Table Top
H700m/m
Maximum

※ In case of combined usage with B300-A and F136-50-BL.
In case of combined usage with B300-A and F136-50-BL,B300-Y.



Backing plate



F136-50-BL Landscape hinge for heavy stainless



- Strong hinge for long legs
- Available to use as a ledger with hinge being combined with B300-Y.
- Available to use for other places also which need strength except table legs.
- Recommended screw/pan head screw 6φ

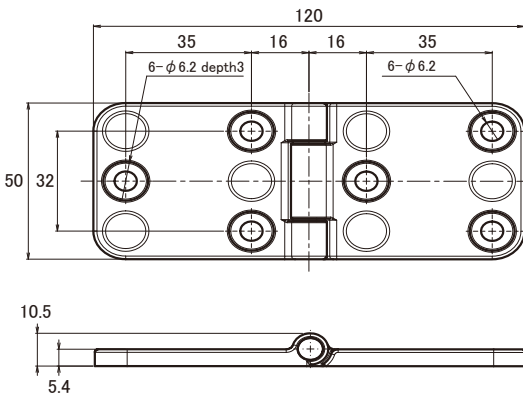
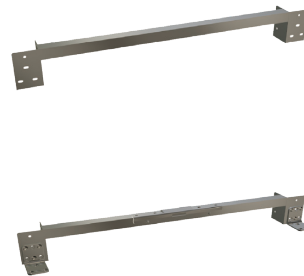


Table Top
H700m/m
Maximum

※ In case of combined usage with B300-A.

Product No.	Material	Finishing	Quantity
F136-50-BL	Steel	Black baked paint	50

B300-Y Reinforcement Ledger



In case of combined with F136-50-BL

- Use to reinforce long legs.
- Available to use as ledger with hinge being combined with landscape hinge for F136-50-BL heavy stainless.
- Save time to install ledger.
- Recommended screw/truss, pan head screw 6φ

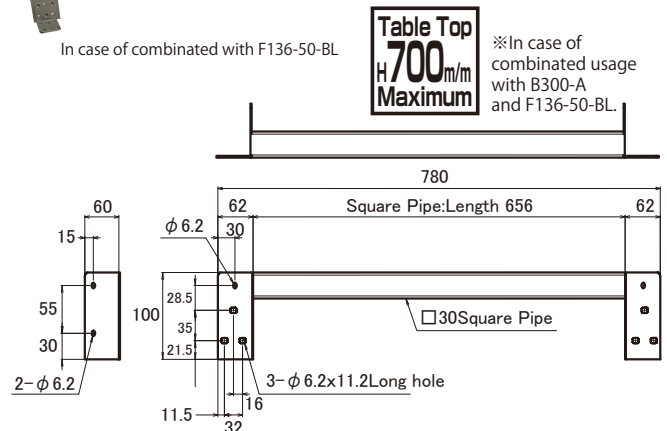


Table Top
H700m/m
Maximum

※ In case of combined usage with B300-A and F136-50-BL.

Product No.	Material	Finishing	Quantity
B300-Y	Steel	Black baked paint	10set

KOJIMA METAL FITTING CORPORATION

Head office 3-4-1 Motoasakusa, Taito-ku, Tokyo 111-0041, Japan
TEL +81-3-3843-3141 FAX +81-3-3843-3144
Kasukabe branch 1-26-20 Kasukabehigashi, Kasukabe-shi, Saitama 344-0062, Japan
TEL +81-48-760-3881 FAX +81-48-760-3883

✉ kanamono@kojima-mf.co.jp

