

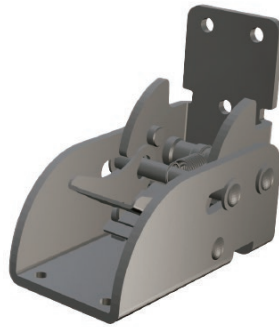
Metal Fitting to fold legs



B205 KTL-2



B213



B214

Under development

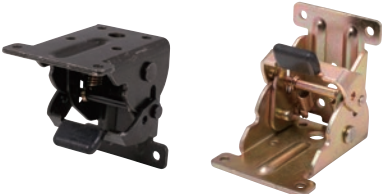





- Metal fitting to fold and lock table legs one by one.
- Available to operate easily by handling a lever.
- When you use or stock a table, legs can be locked.
- *Only B205KTL has a simple locking system.
- B213 and B214 have safety system to push and stand, and fold the lever separately when it is unlocked.
- Installing on a plate, it is unnecessary to engrave on a table top or a leg.
- Finishing/B205 KTL Black zinc/Chromate
 - B213 Black baked paint
 - B214 Black baked paint
- Mateial/Steel



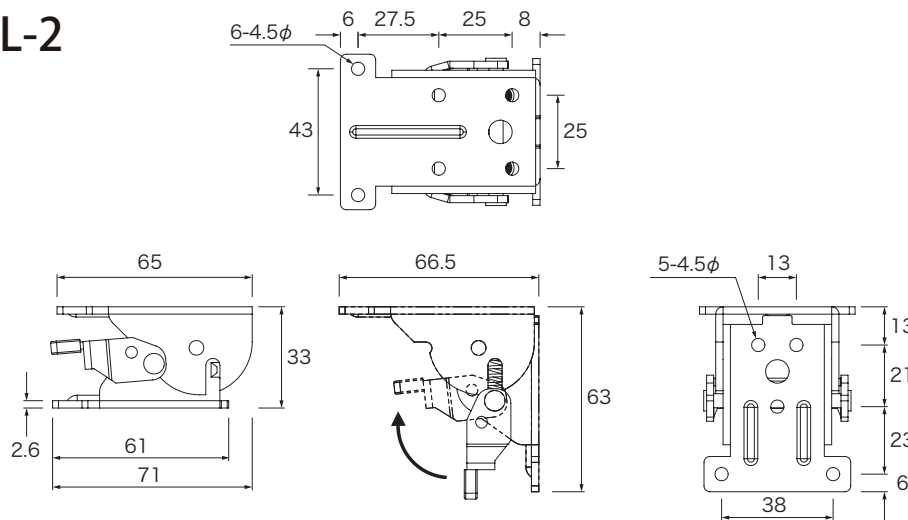
When you use a table.



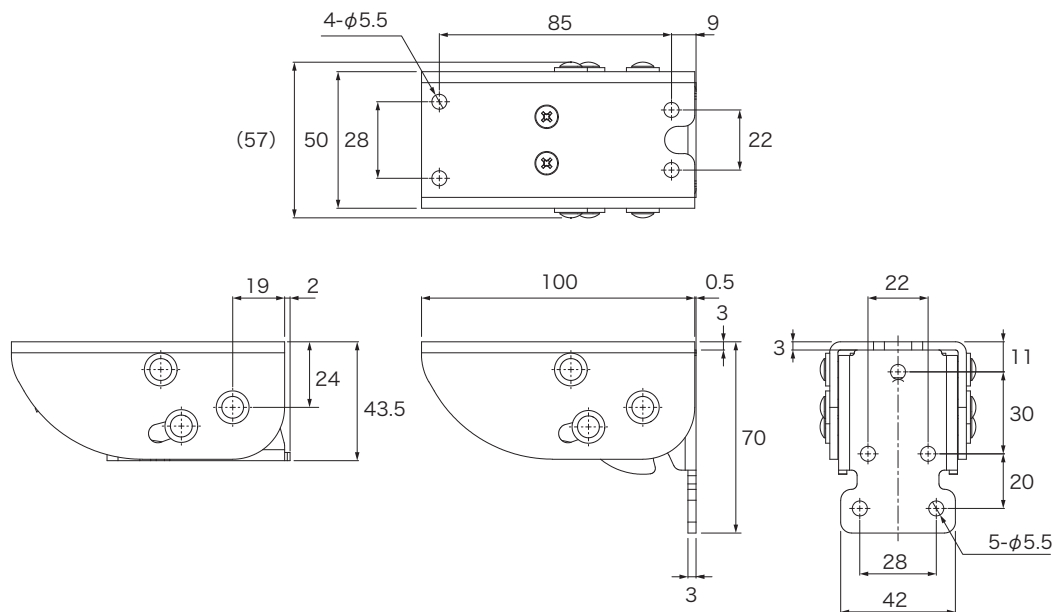
When you store a table.

<p>B205 KTL-2 Table height : ~H300mm When used : With lock system When stored : With simple lock system Recommended screw : $\phi 3.5$: pan head screw, round-head screw (truss is wrong)</p>		
<p>B213 PAT.P Table height : ~H700m When used : With lock system When stored : With lock system Recommended screw : $\phi 5.0$ pan head srew, truss</p>		
<p>B214 PAT.P Table height : ~H700mm When used : With lock system When stored : With lock system Recommended srew : $\phi 6.0$ pan head srew, truss</p>		

B205 KTL-2



B213



B214

