

B-270

TABLE METAL FITTING

Coming Soon



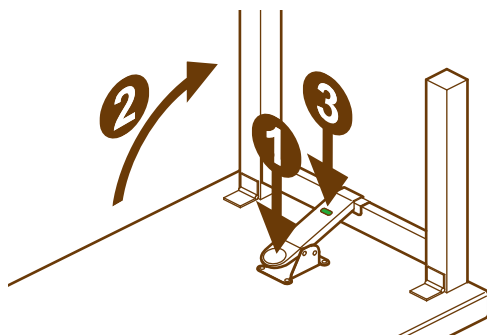
- The metal fitting can be locked both when the legs of the table are standing or folded.
- The metal fitting is sturdy and safe enough even if the table is shook or accidentally hit.
- Easily identify if the metal fitting is locked or unlocked by the color indicators of green and red.
- Easily operate the metal fitting with little force.



To stand the legs of the table



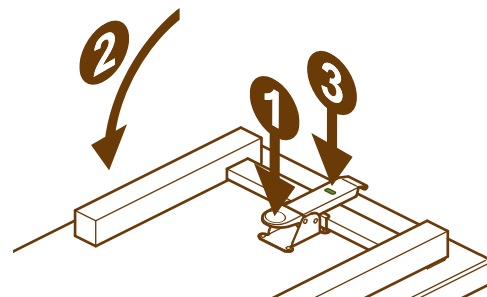
- 1 While pressing the "Push Lever"
- 2 stand the legs of the table
- 3 and check to see that the **RED** color indicator turns to **GREEN**
(**GREEN** : fitting locked correctly)

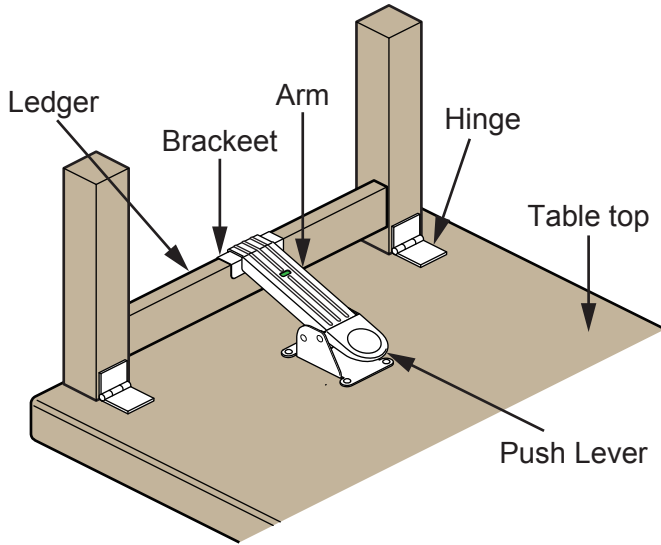


To fold the legs of the table



- 1 While pressing the "Push Lever"
- 2 fold the legs of the table inward
- 3 and check to see that the **RED** color indicator turns to **GREEN**
(**GREEN** : fitting locked correctly)



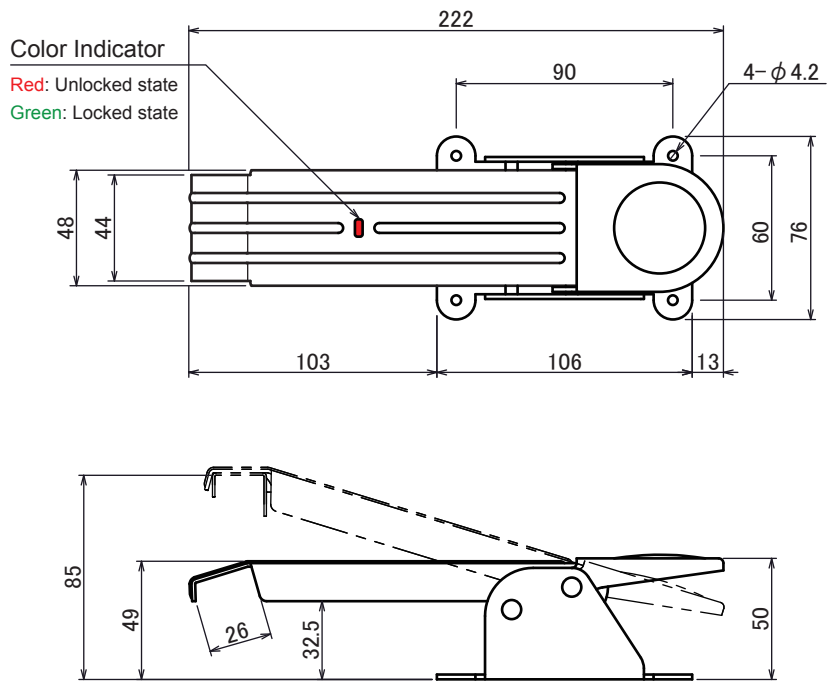
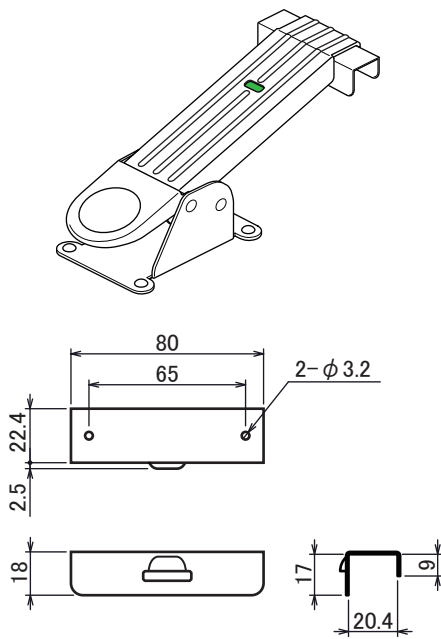


■ CHARACTERISTICS

Pressing the “Push Lever” will allow you to fold and stand the legs of the table. You can lock the metal fitting in both positions. The metal fitting is sturdy in its locked state even when the table is carried. The arm of the metal fitting is reinforced with a rib to keep it durable.

*Hinges are sold separately. Please contact us for further information.
Our recommended product is **B271**.

■ Dimension



■ Installation

Height from the table top to the ledger: 85mm
Ledger width: 20mm

*1mm offset between the table leg and ledger placement.

